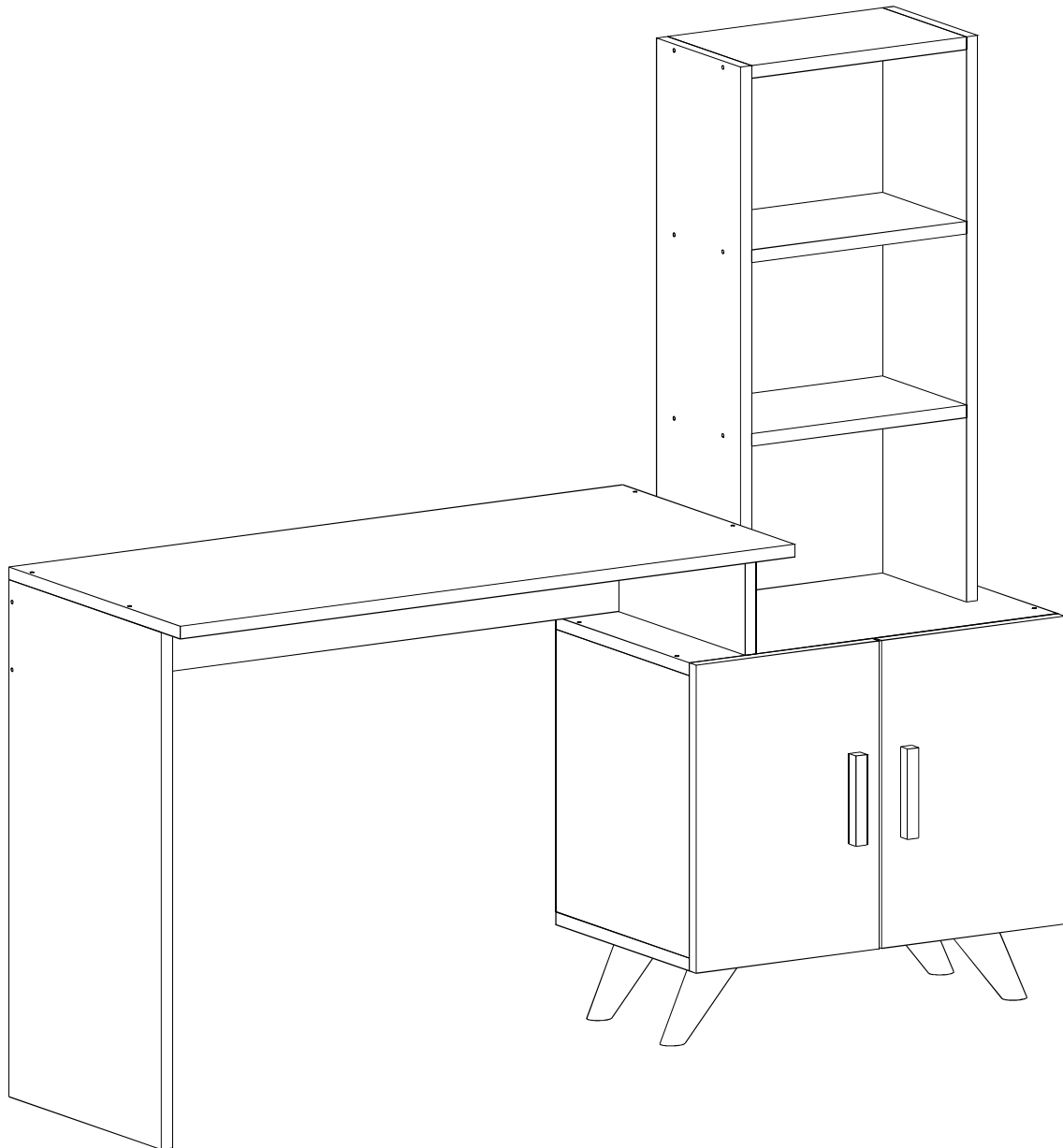


Albert Study Table

NO:53

ASSEMBLY MANUAL



ASSEMBLY MANUAL

